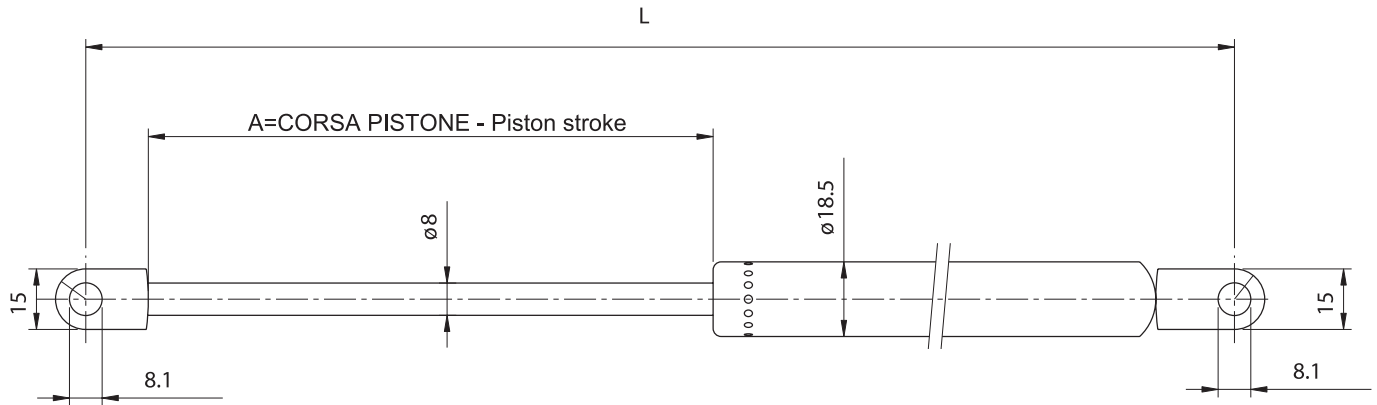


**MOLLA A GAS**  
Gas spring

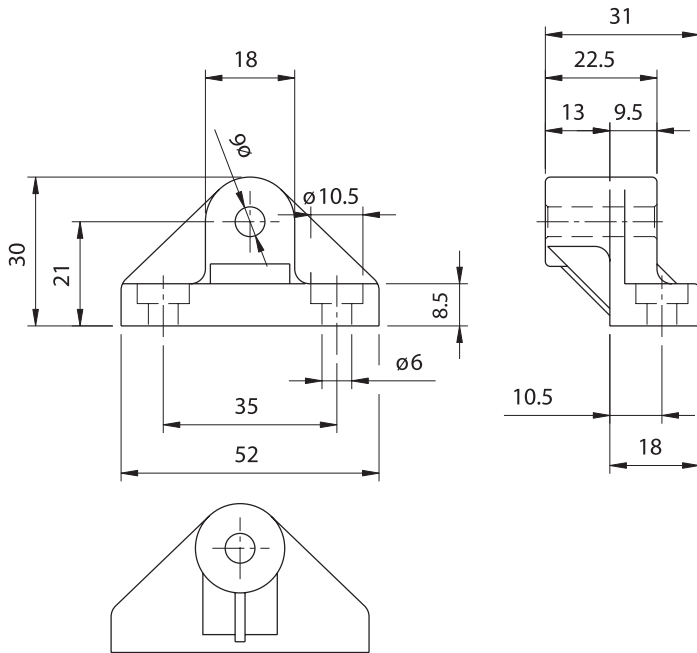


L	A	PORTATA capacity	CODICE code	L	A	PORTATA capacity	CODICE code
180	57	100 N	<b>L4010*</b>	444	181	500 N	<b>L4350</b>
257	95	100 N	<b>L4110</b>	500	212	180 N	<b>L4718</b>
257	95	150 N	<b>L4115</b>	500	212	250 N	<b>L4725</b>
257	95	200 N	<b>L4120</b>	500	212	600 N	<b>L4760</b>
257	95	300 N	<b>L4130</b>	500	212	700 N	<b>L4770</b>
257	95	400 N	<b>L4140</b>	535	225	200 N	<b>L4420</b>
257	95	500 N	<b>L4150</b>	535	225	250 N	<b>L4425</b>
257	95	600 N	<b>L4160</b>	535	225	300 N	<b>L4430</b>
354	138	100 N	<b>L4210</b>	535	225	350 N	<b>L4435</b>
354	138	150 N	<b>L4215</b>	535	225	400 N	<b>L4440</b>
354	138	200 N	<b>L4220</b>	535	225	500 N	<b>L4450</b>
354	138	250 N	<b>L4225</b>	535	225	600 N	<b>L4460</b>
354	138	300 N	<b>L4230</b>	585	262	150 N	<b>L4615</b>
354	138	400 N	<b>L4240</b>	600	262	100 N	<b>L4510</b>
354	138	500 N	<b>L4250</b>	600	262	200 N	<b>L4520</b>
405	174	250 N	<b>L4825</b>	600	262	360 N	<b>L4536</b>
444	181	150 N	<b>L4315</b>	600	262	400 N	<b>L4540</b>
444	181	200 N	<b>L4320</b>	600	262	500 N	<b>L4550</b>
444	181	250 N	<b>L4325</b>	585	262	150 N	<b>L4615</b>
444	181	300 N	<b>L4330</b>				

\*STELO mm 6

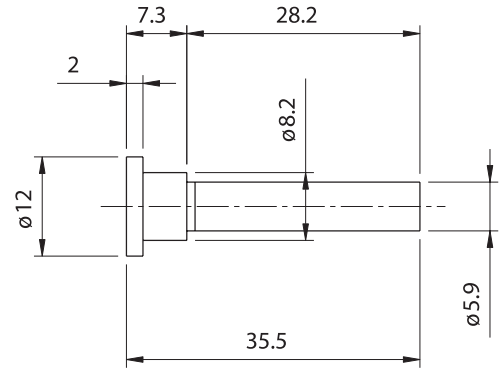
**SUPPORTO MOLLE A GAS**  
Gas spring support

<b>code</b>	
<b>L 5001</b>	



**PERNO PER MOLLE A GAS**  
Gas spring pin

<b>code</b>	
<b>L 6001</b>	



**ANELLO AUTOBLOCCANTE**  
Self-locking ring

<b>code</b>	
<b>L 6002</b>	

